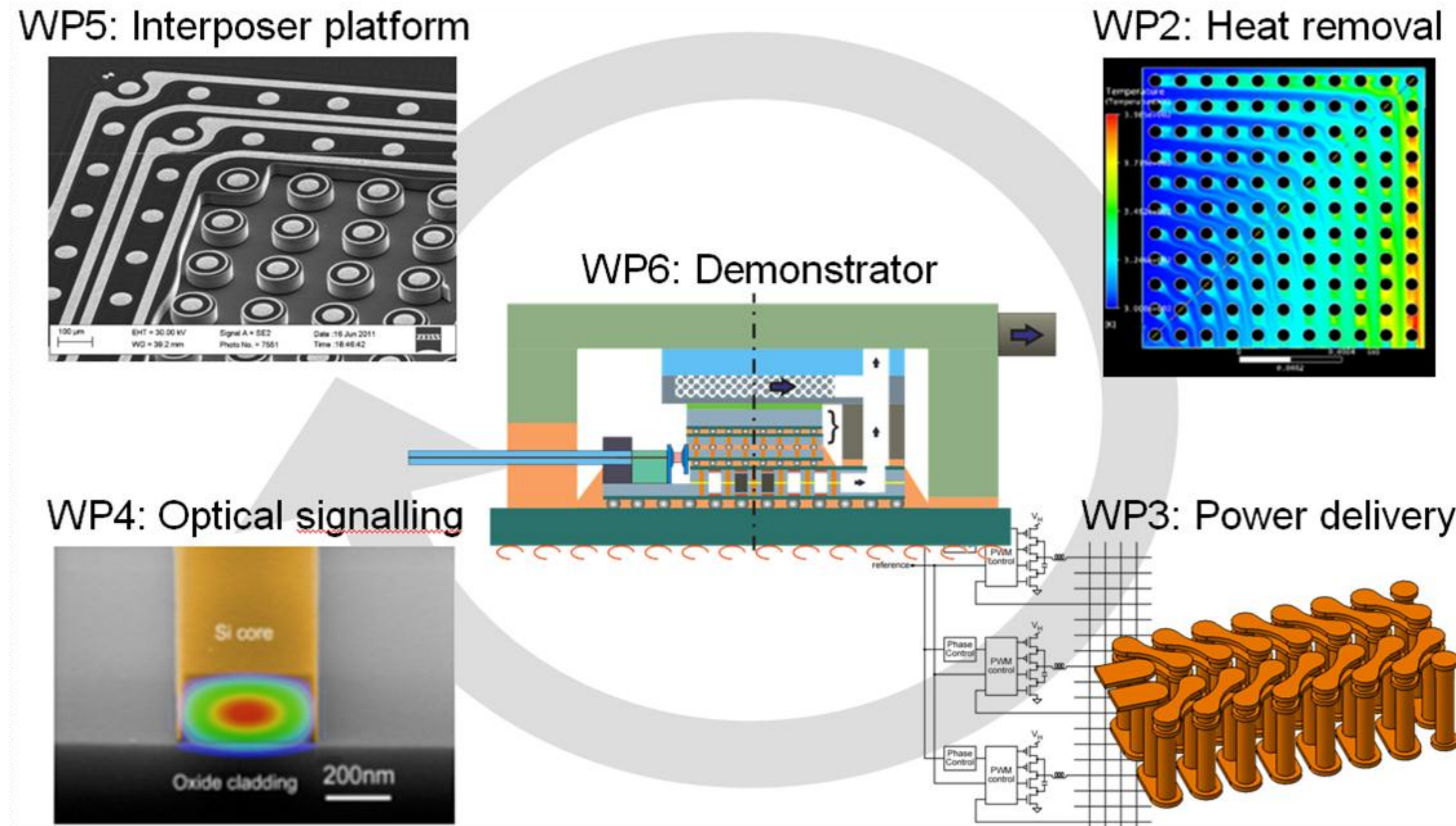


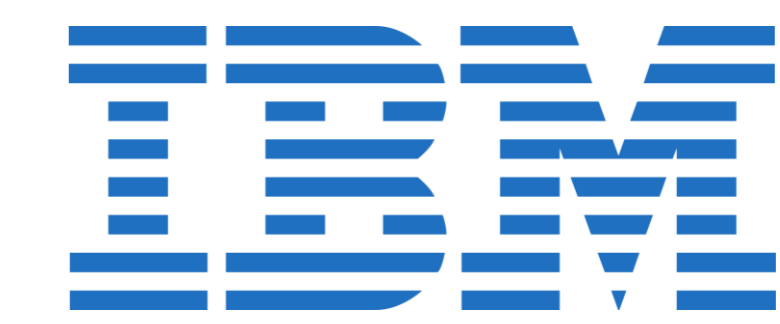
CarrICool: Interposer supporting optical signaling, liquid cooling, and power conversion for 3D chip stacks

Project info

- EU FP7 project
 - Project: 619488
- Begin: Jan. 2014
- End: Dec. 2016



Project partners



Eidgenössische Technische Hochschule Zürich
Swiss Federal Institute of Technology Zurich



Toke M. Andersen^{1,2}, Pedro A. M. Bezerra^{1,2}, Florian Krismer², Johann W. Kolar², Arvind Sridhar², Thomas Brunschweiler², Thomas Toifl², Caroline Rabot³, Zoran Pavlovic³, Cian O'Mathuna³, Sophie Gaborieau⁴, Catherine Bunel⁴

¹ETH Zurich, Switzerland; ²IBM Research Zurich, Switzerland; ³Tyndall National Institute, Ireland; ⁴IPDIA, France

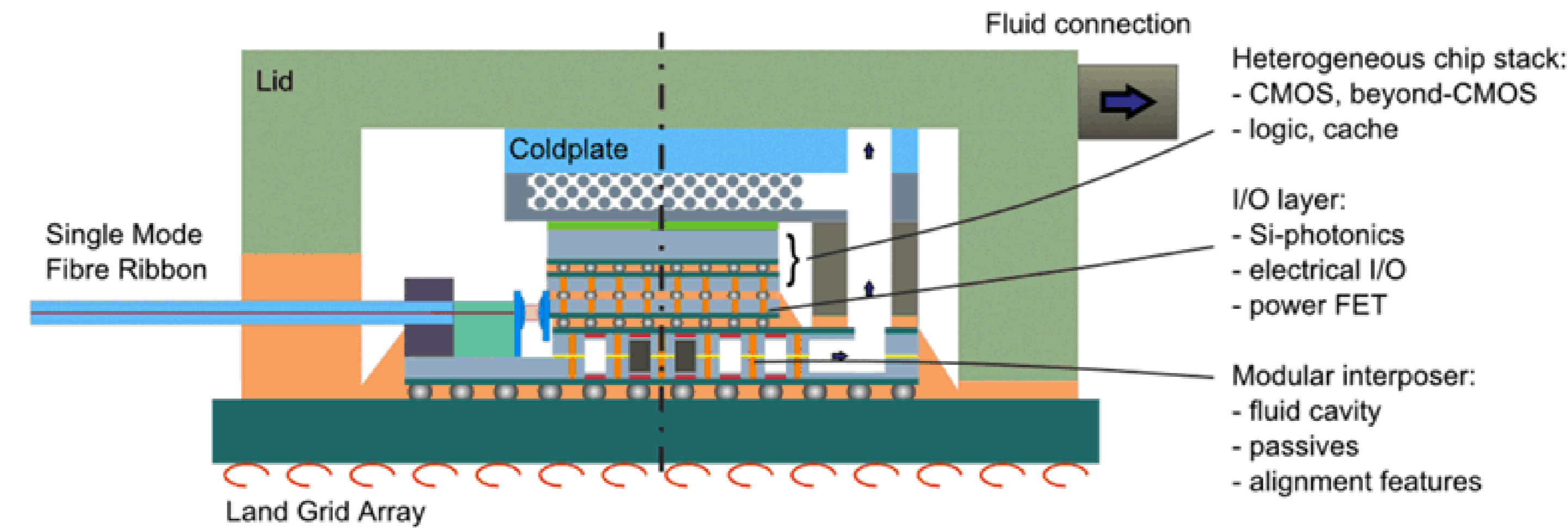
Functional interposer

- Power conversion
- Optical signaling
- Liquid cooling

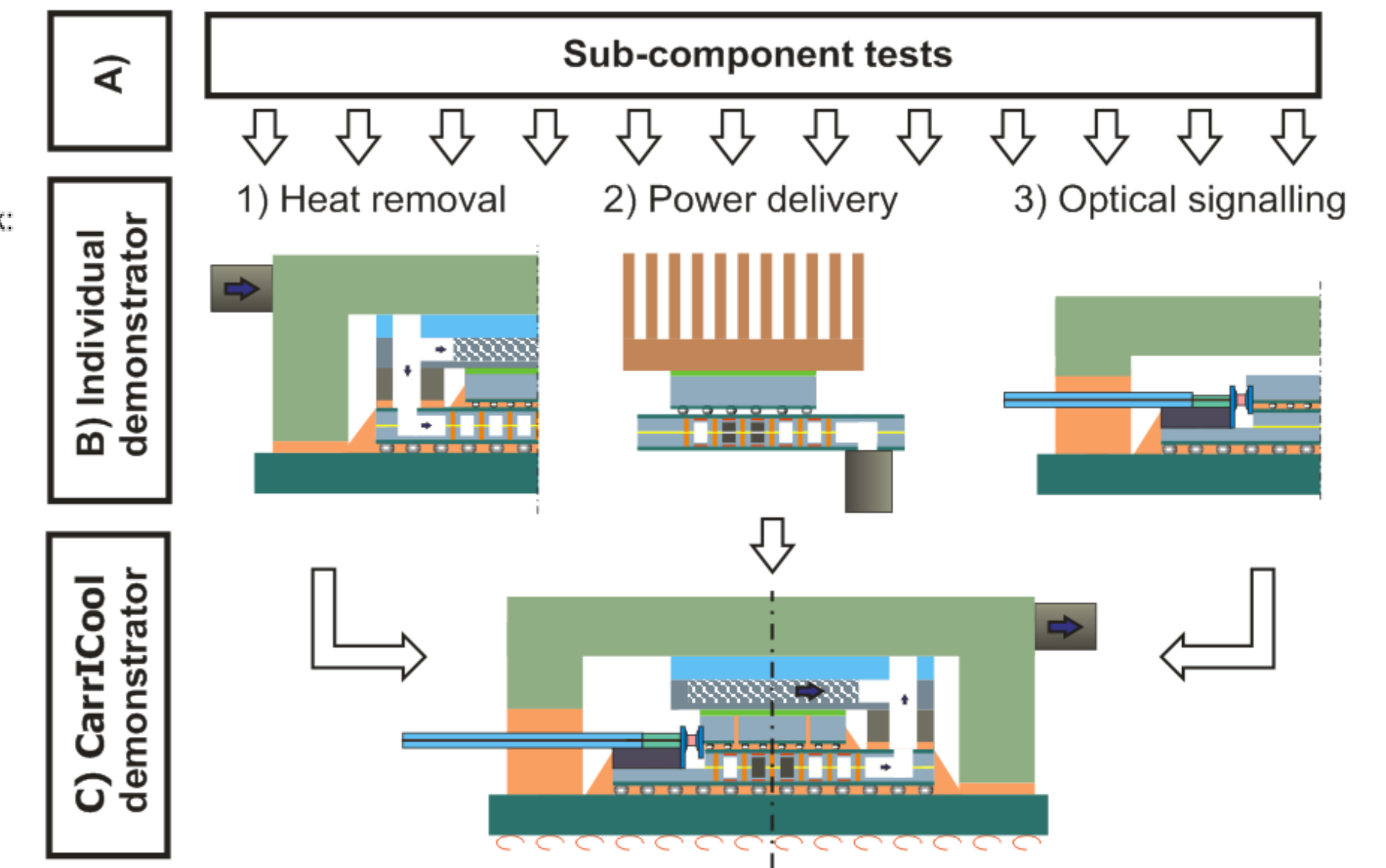
Power converter (iVRM)

- Deep submicron technology
- L and C on interposer
- Switches and control on CPU

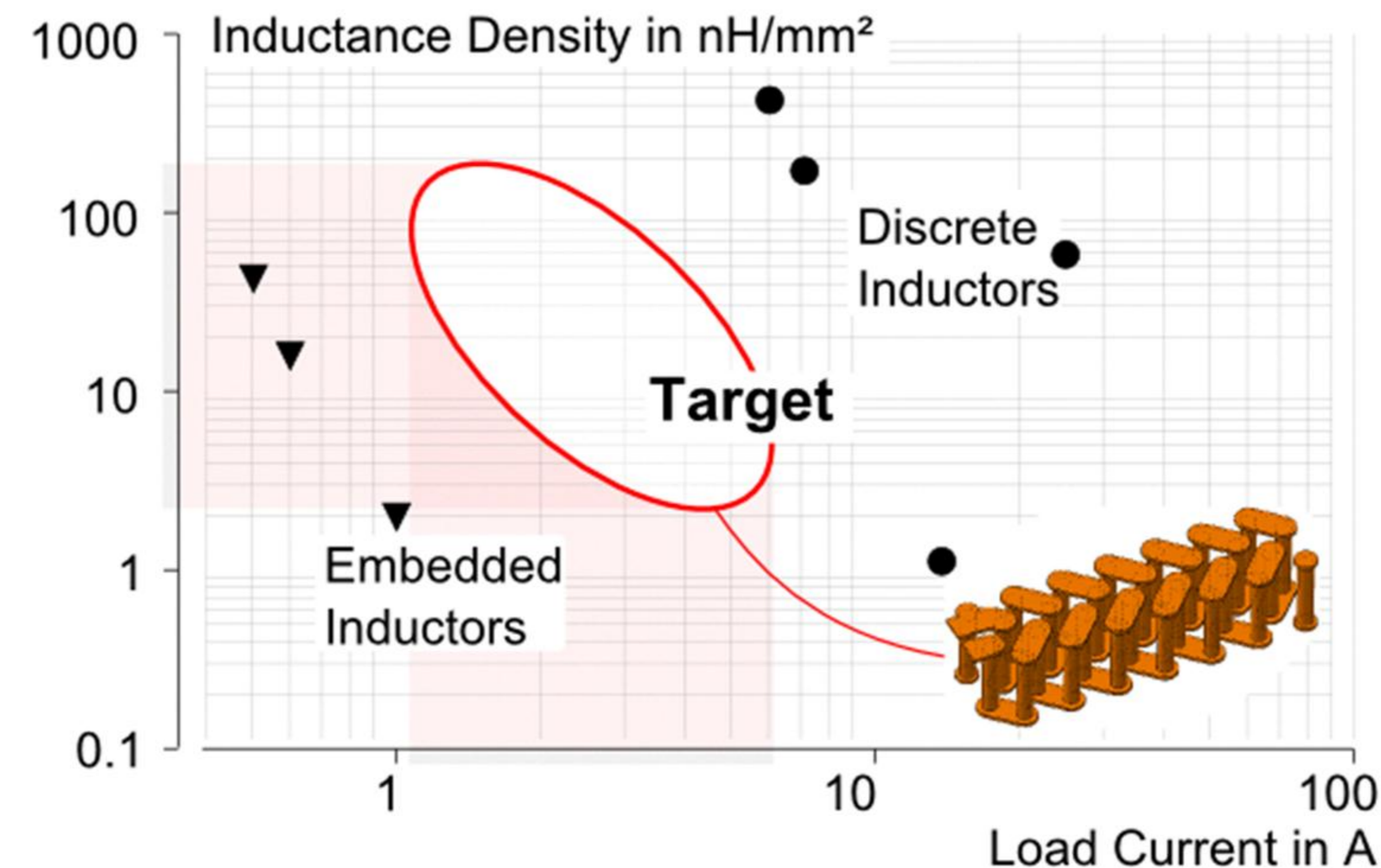
CarrICool target demonstrator



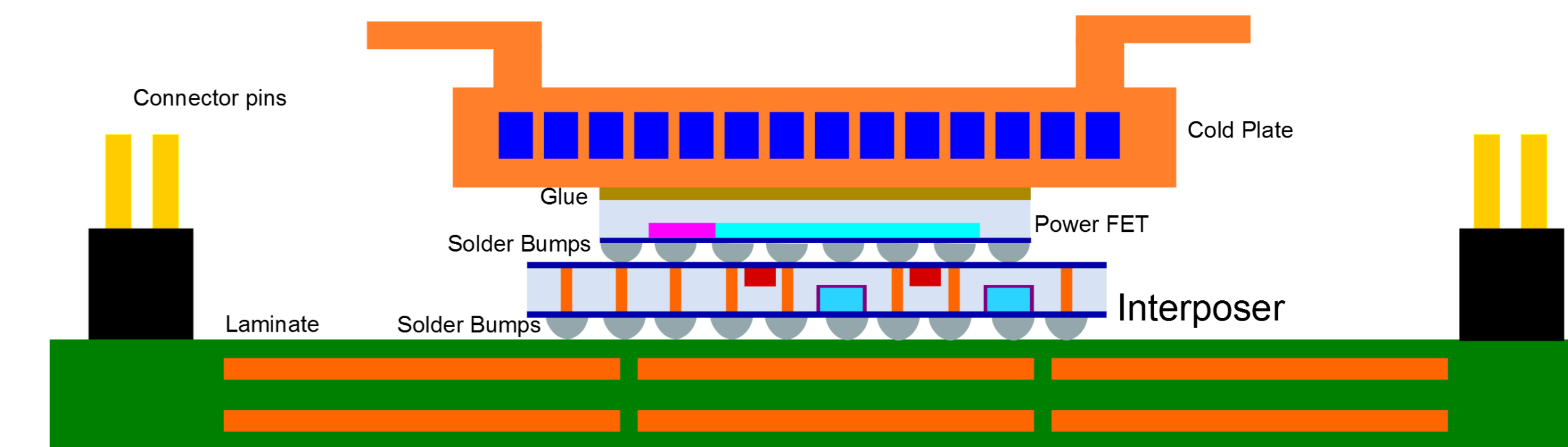
Development phases



TSV inductors



iVRM demonstrator

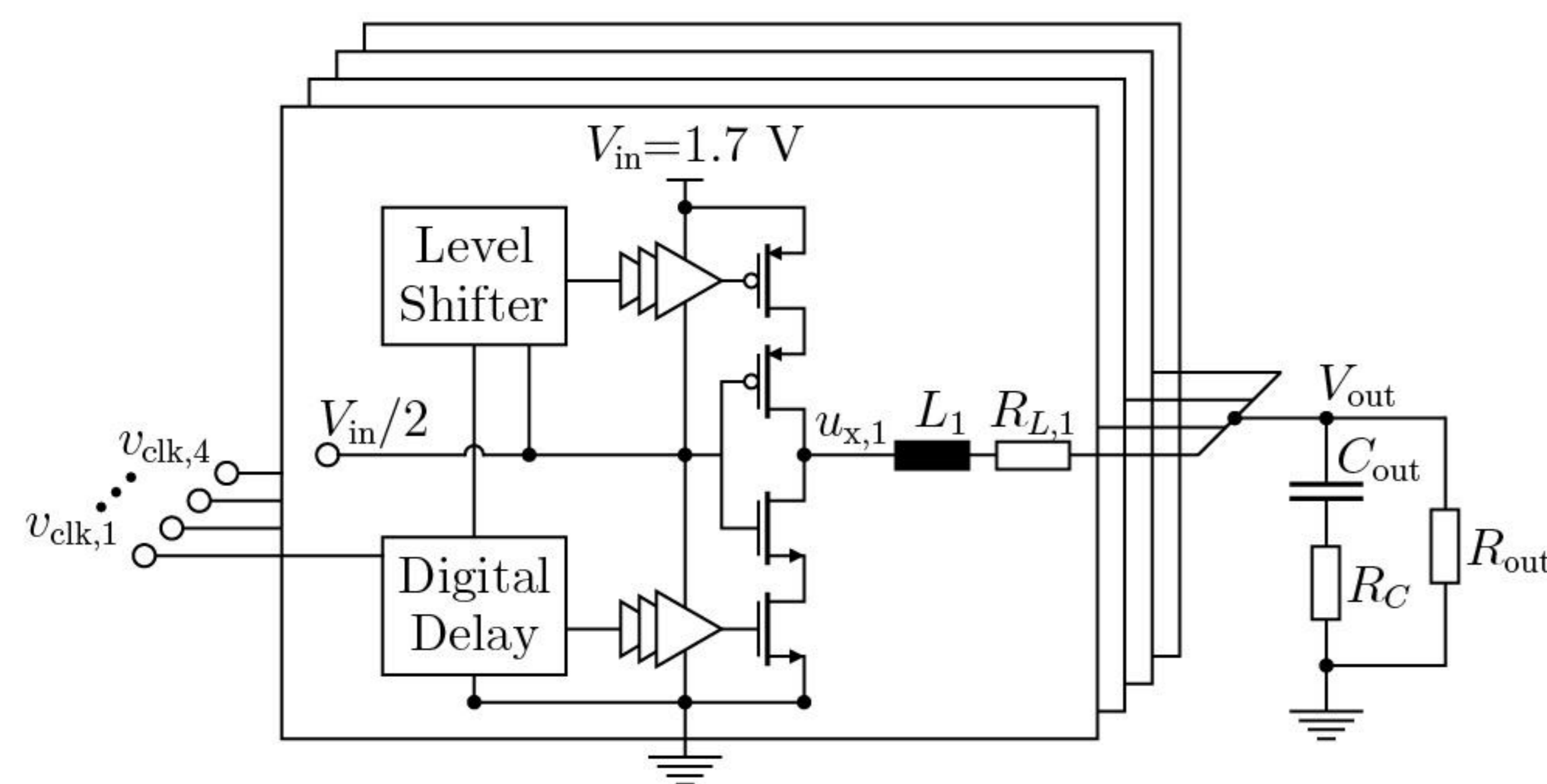


Converter specifications

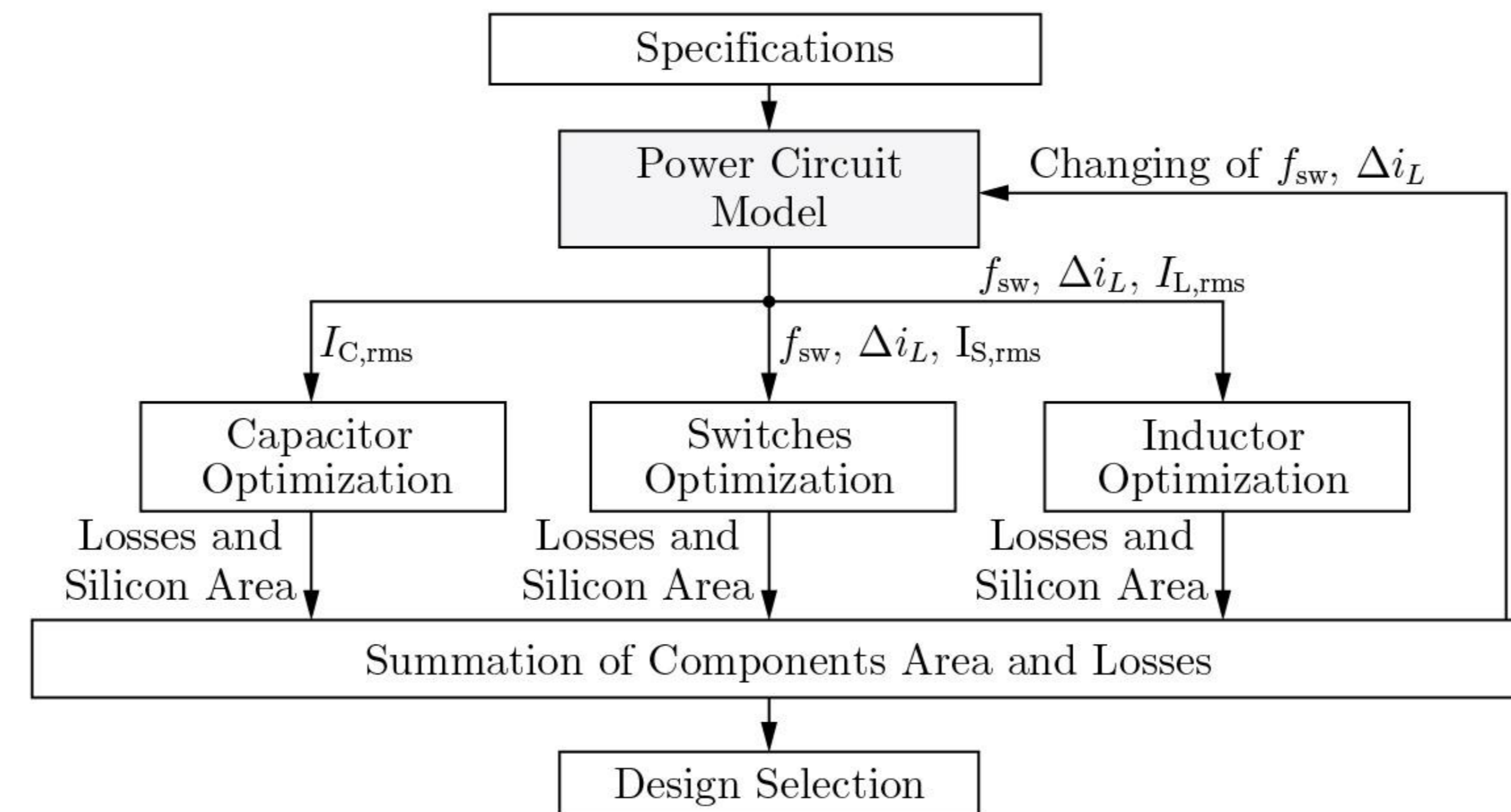
Parameter	Specifications for 14nm implementation
V_{in}^a	1.7V
V_{out}^b	0.6V to 1.1V
Efficiency c	90%
PMIC power density d	30W/mm ²
Interposer power density e	4W/mm ²
$V_{out,ripple}$ (steady state)	10mV
$V_{out,droop}$ (transient) f	10mV

- a Nominal output voltage is $V_{out,nom}=850mV$. Nominal V_{in} is twice $V_{out,nom}$.
- b Variable output voltage to support DVFS
- c Maximum efficiency to be optimized for full load assuming high CPU utilization application
- d Corresponding to <1% CPU area
- e CPU power density is assumed to be 2W/mm². Allowing 50% interposer area to passives gives 4W/mm² interposer power density.
- f Transient load conditions are 50% -> 100% $I_{out,max}$ load step in 5ns

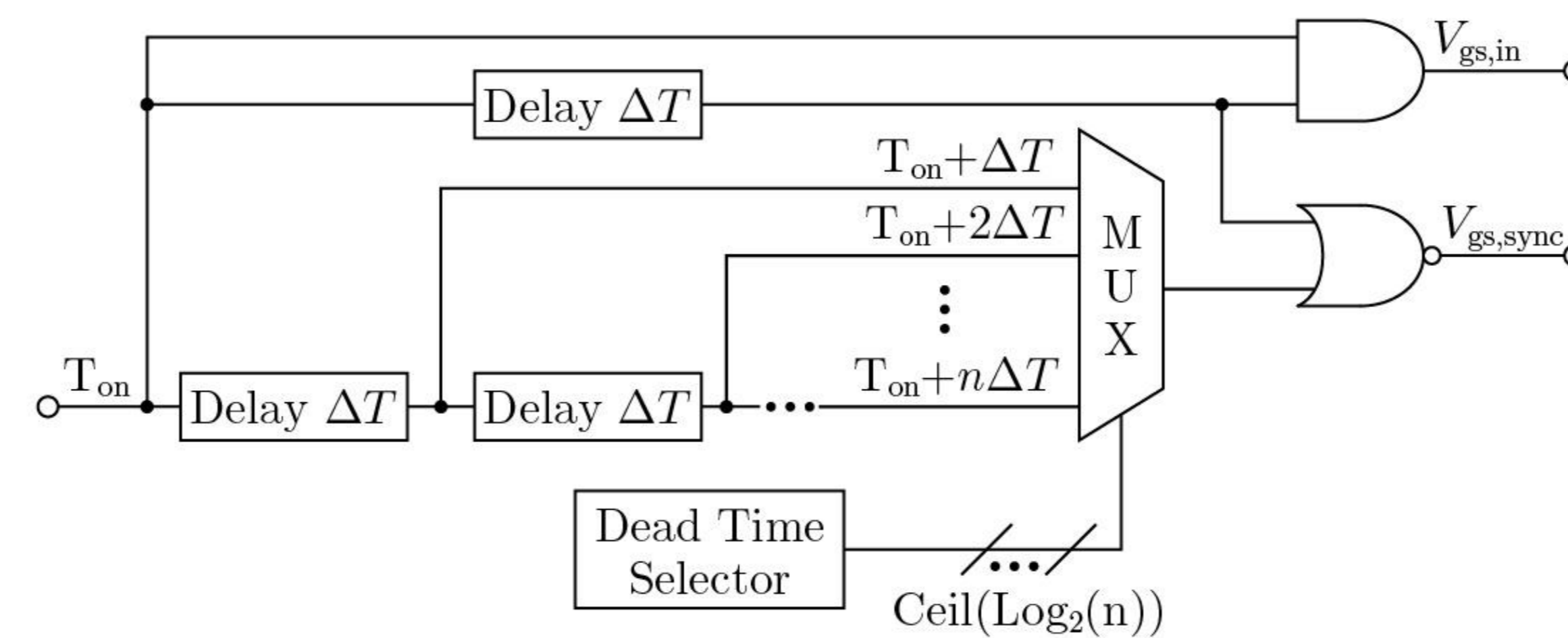
Buck converter



Optimization procedure

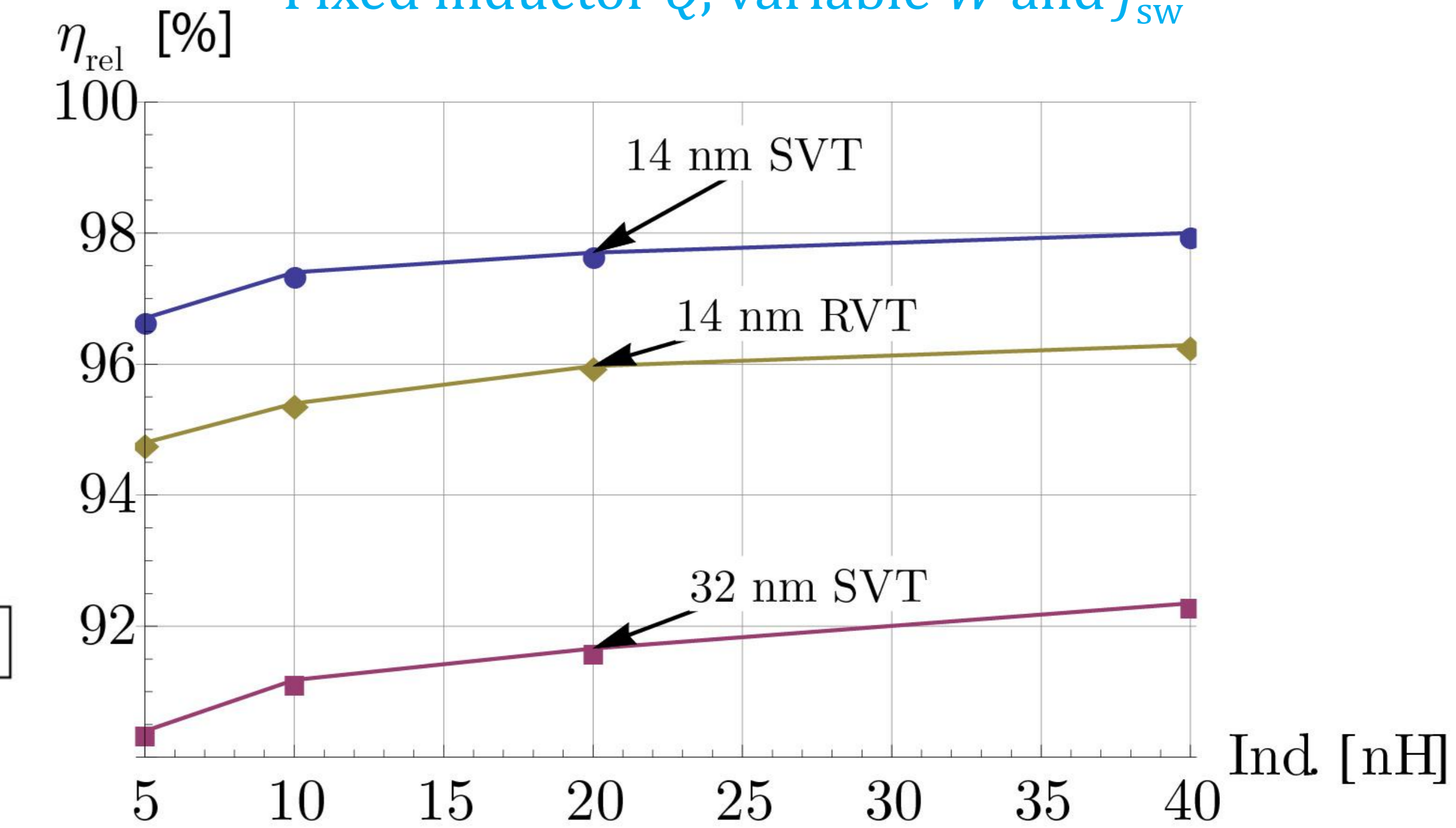


Adaptive deadtime



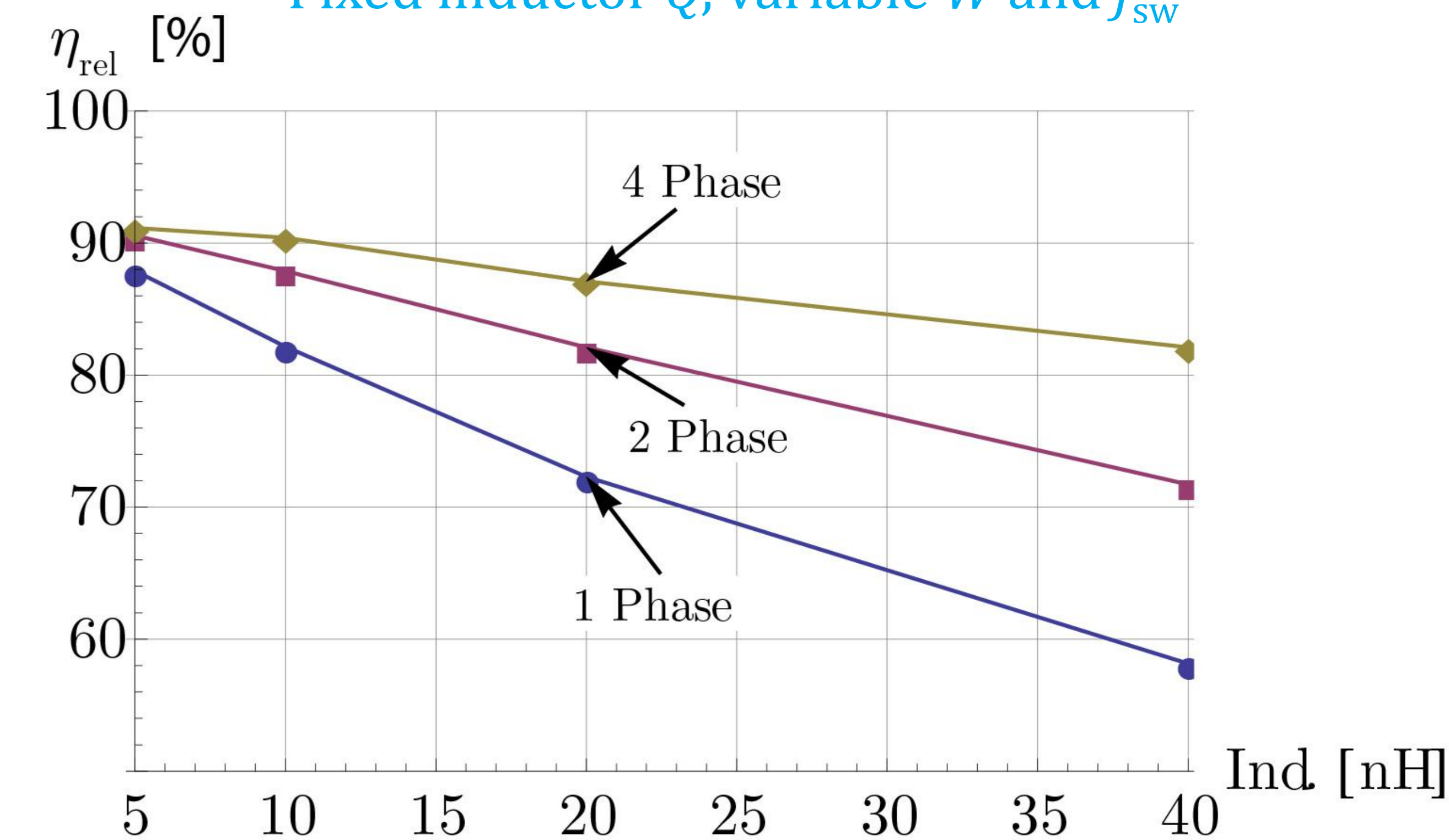
Without inductor losses

Fixed inductor Q , variable W and f_{sw}

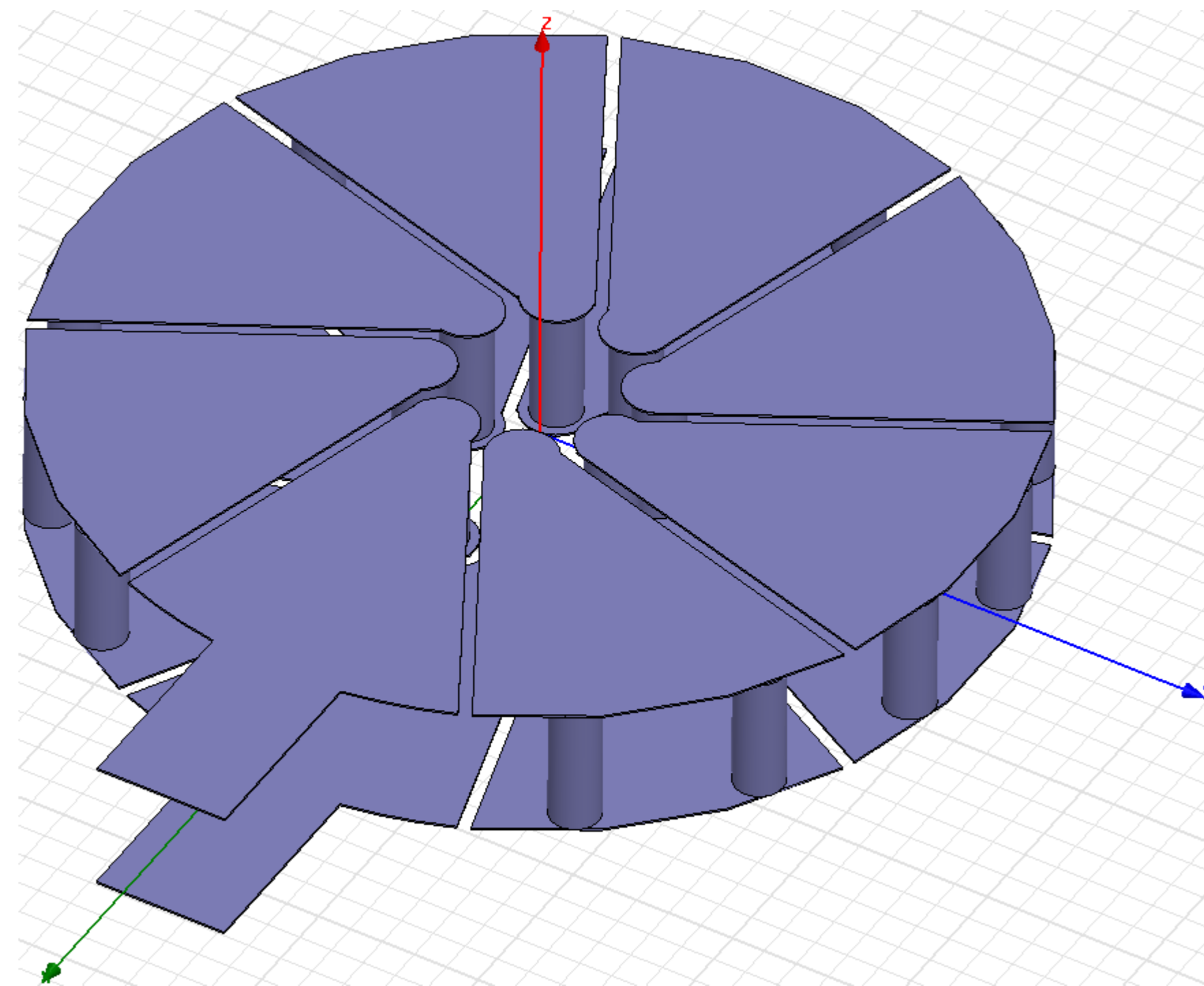


With inductor losses

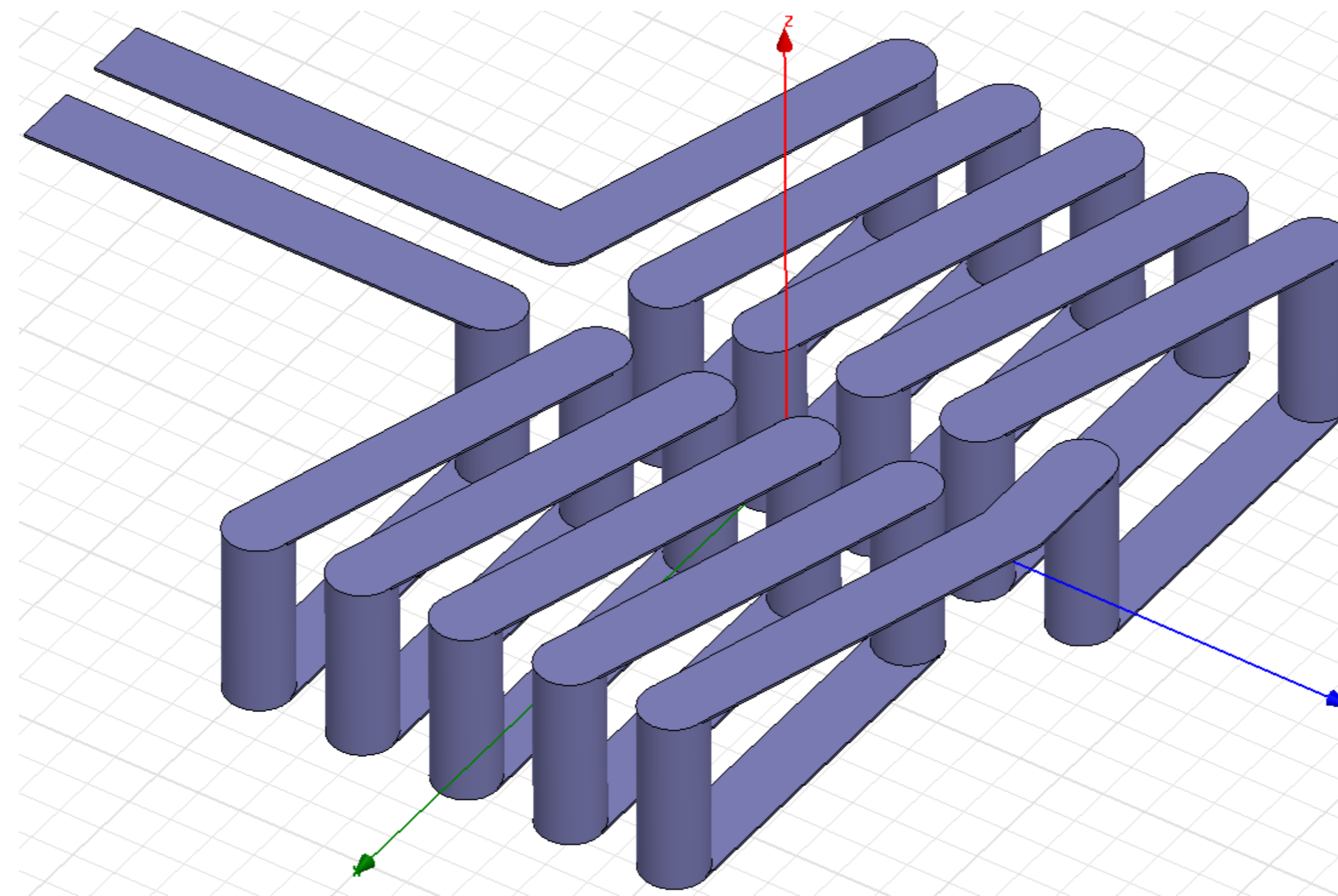
Fixed inductor Q , variable W and f_{sw}



Toriodal inductor structure



Helical inductor structure



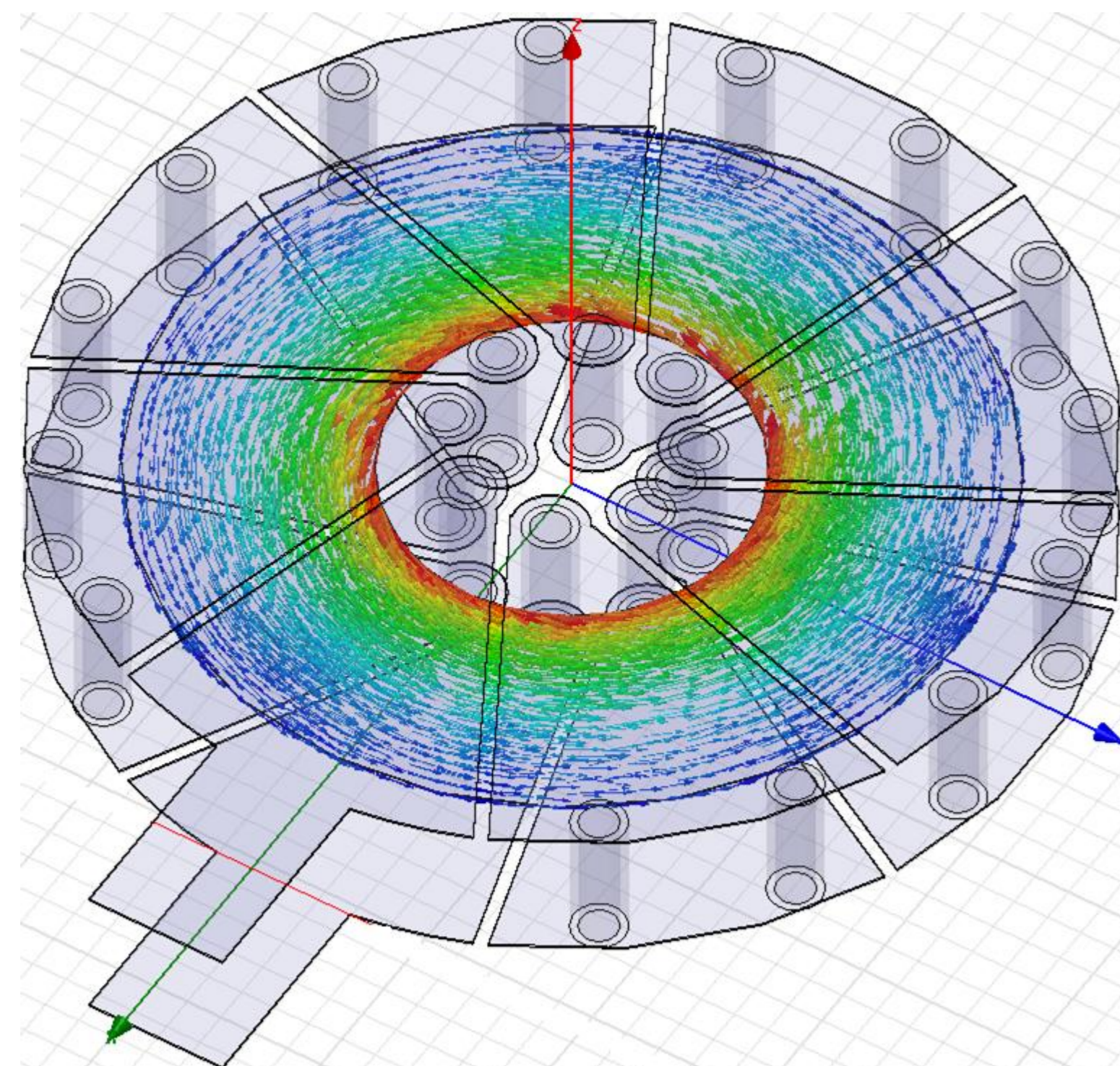
Modeling results - inductance

Comparison of analytical model and FEA simulation at 50 MHz
(2 μm thick flat core)

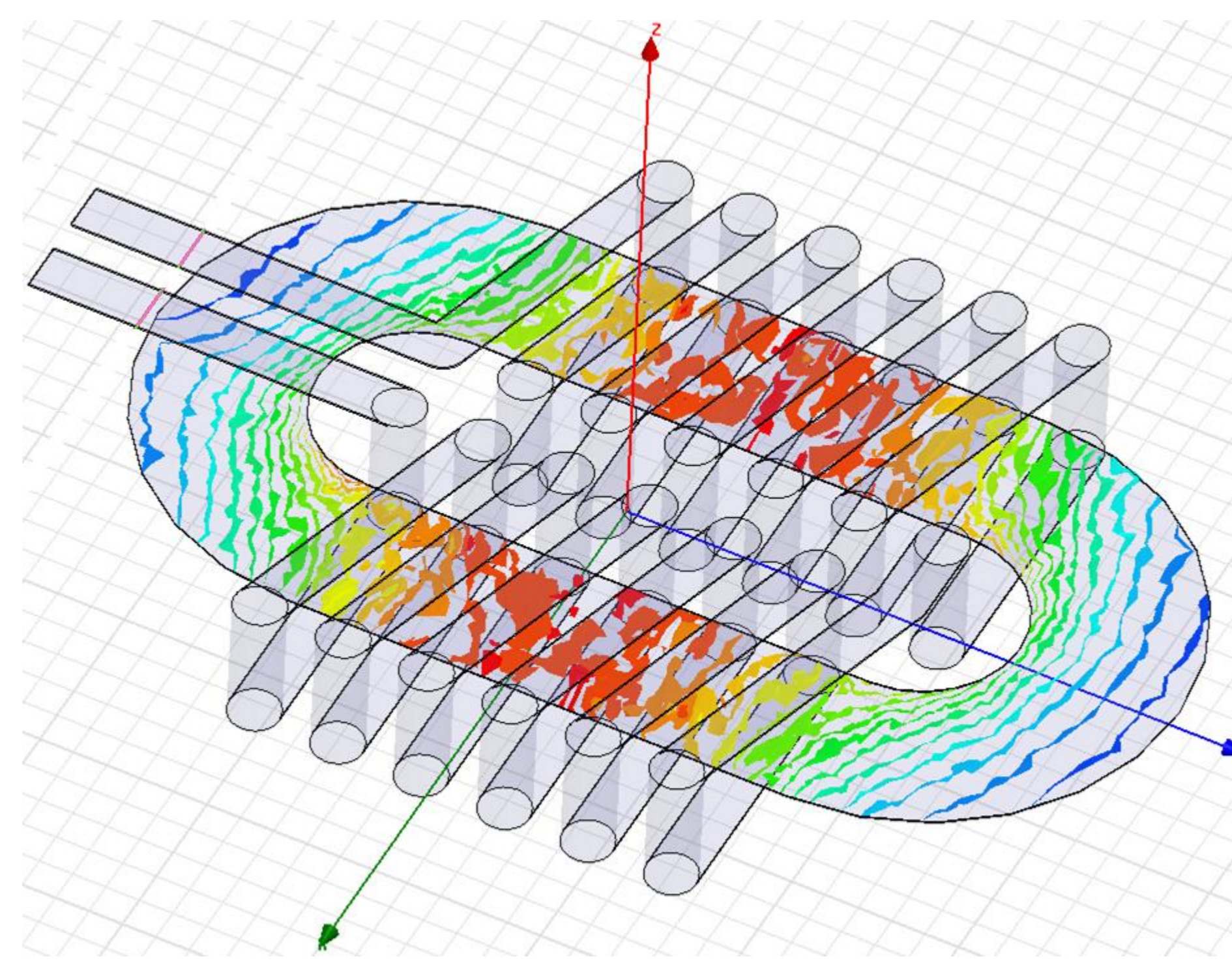
TOROIDAL INDUCTOR				
Turn number	Air core		Magnetic flat core	
	Calculation (nH)	Maxwell (nH)	Calculation (nH)	Maxwell (nH)
12	6.571	6.607	26.249	26.095
8	3.707	3.787	14.289	14.27

HELICAL INDUCTOR				
Turn number	Air core		Magnetic flat core	
	Calculation (nH)	Maxwell (nH)	Calculation (nH)	Maxwell (nH)
12	9.167	9.078	25.674	26.58
10	7.508	7.509	20.175	20.831
8	5.886	5.901	14.943	15.318
6	4.294	4.324	10.067	10.255

Toriodal with core material



Helical with core material



Modeling results - resistance

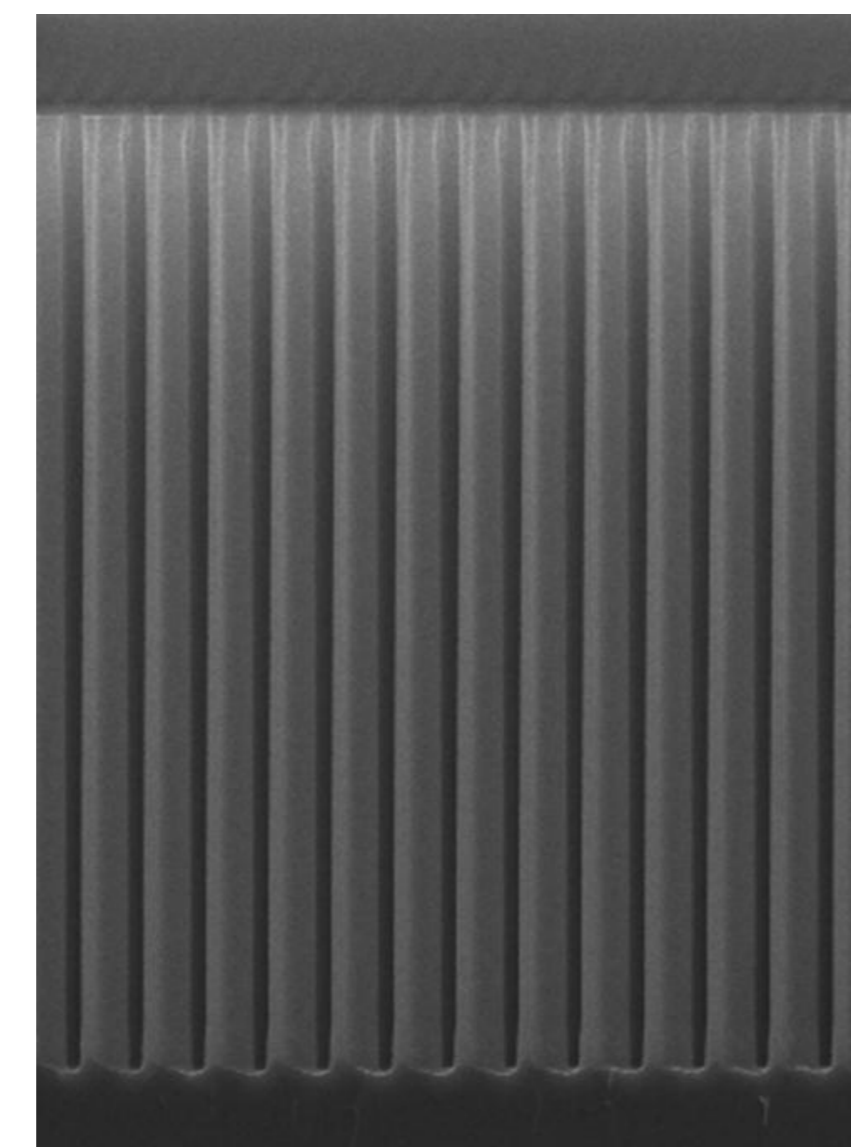
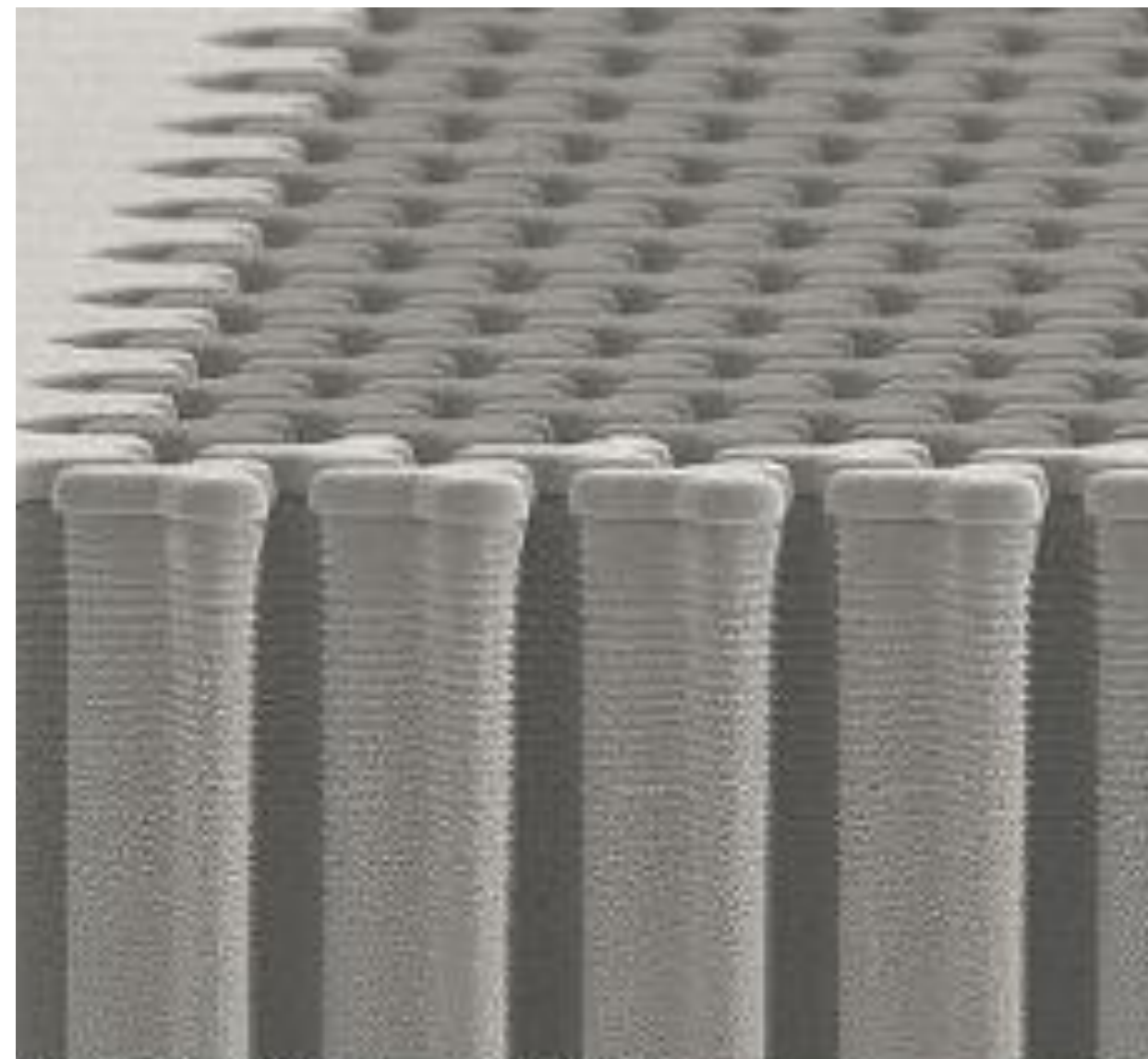
Comparison of analytical model and FEA simulation
TSV diameter: 75 μm (half filled vias)
TSV spacing: 50 μm
TSV depth: 200 μm
Cu thickness: 3 μm

TOROIDAL INDUCTOR			HELICAL INDUCTOR		
Turn number	R_{dc}		Turn number	R_{dc}	
	Calculation (m Ω)	Maxwell (m Ω)		Calculation (m Ω)	Maxwell (m Ω)
12	381	385	12	817	805
12 (10 μm Cu)	133	138	10	695	693
8	226	218	8	573	572
8 (10 μm Cu)	80	84	6	451	452

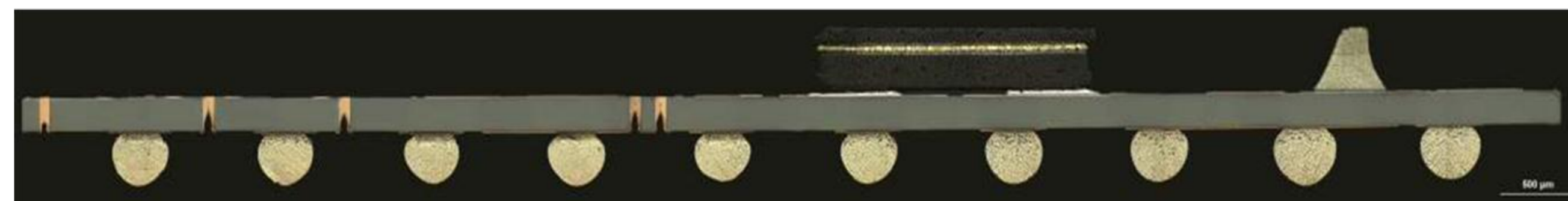
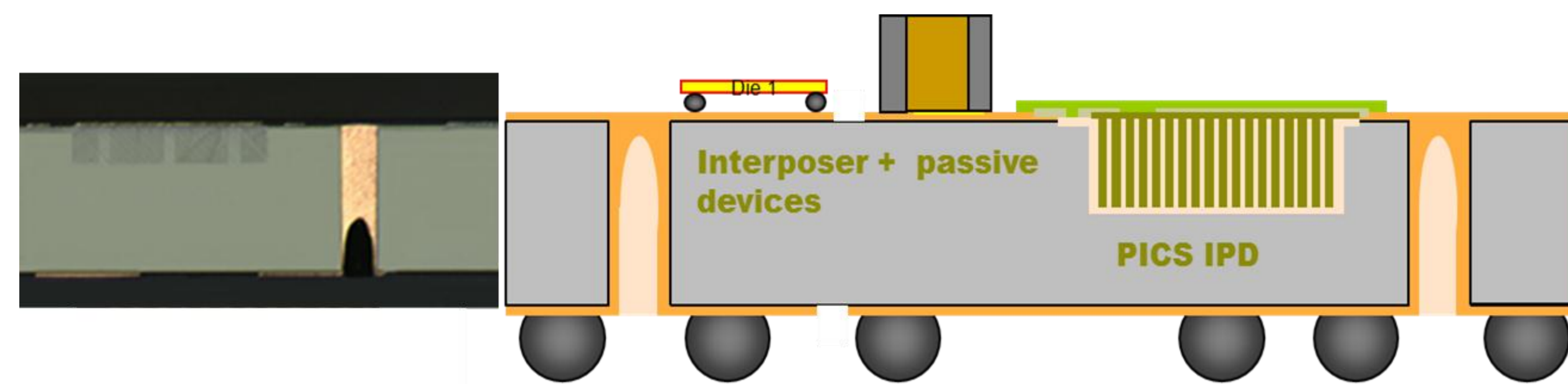
Optimized inductance density for 1 $\text{mm}^2 > 30 \text{ nH/mm}^2$
 $L/DCR > 0.8 \text{ nH/m}\Omega$

Deep trench capacitors

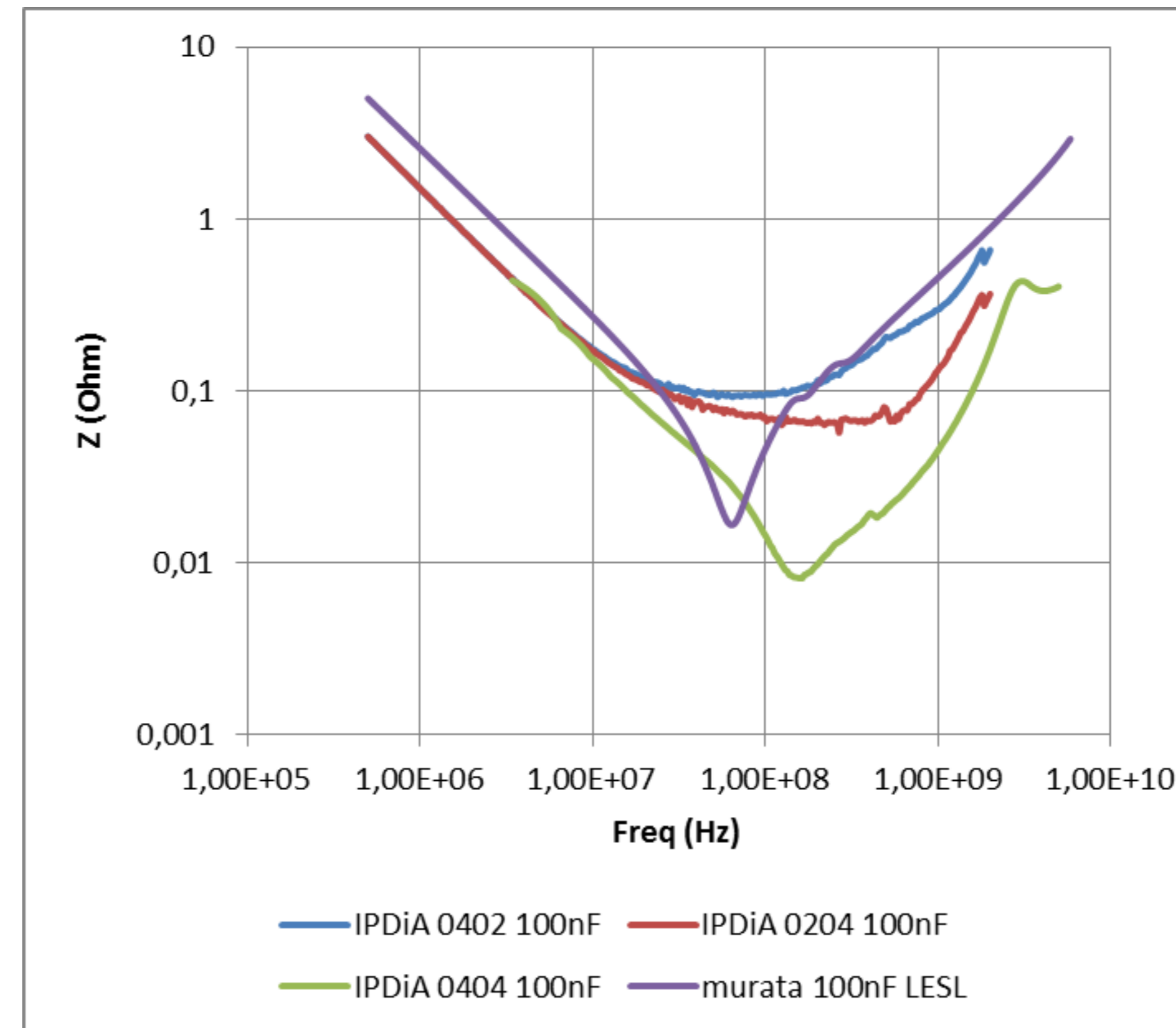
- Capacitor density up to 500nF/mm²
- Low leakage current < 1nA/μF, FIT << 1
- Excellent temperature and voltage linearity
- Low ESR & low ESL



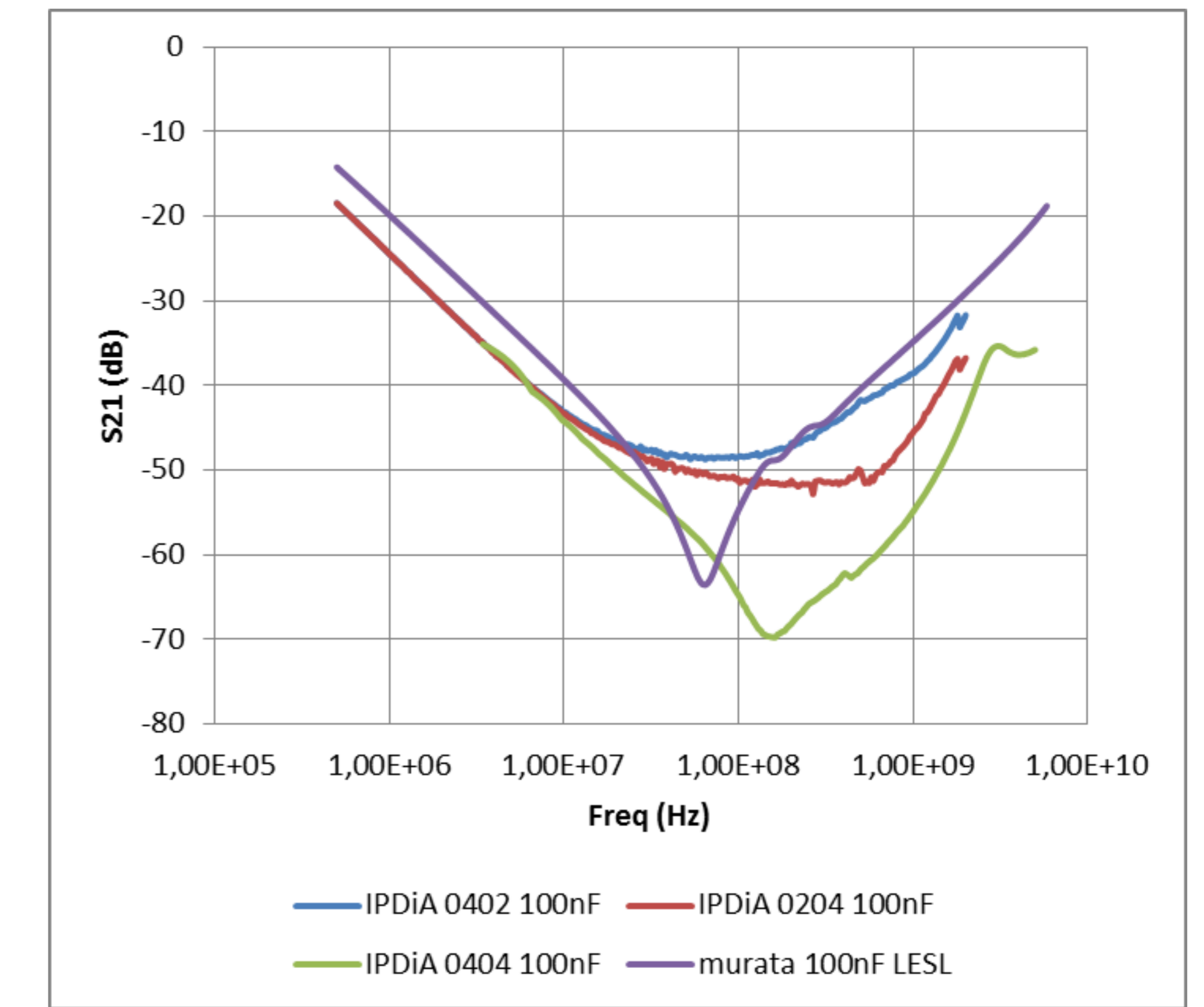
3D Capacitors + TSV



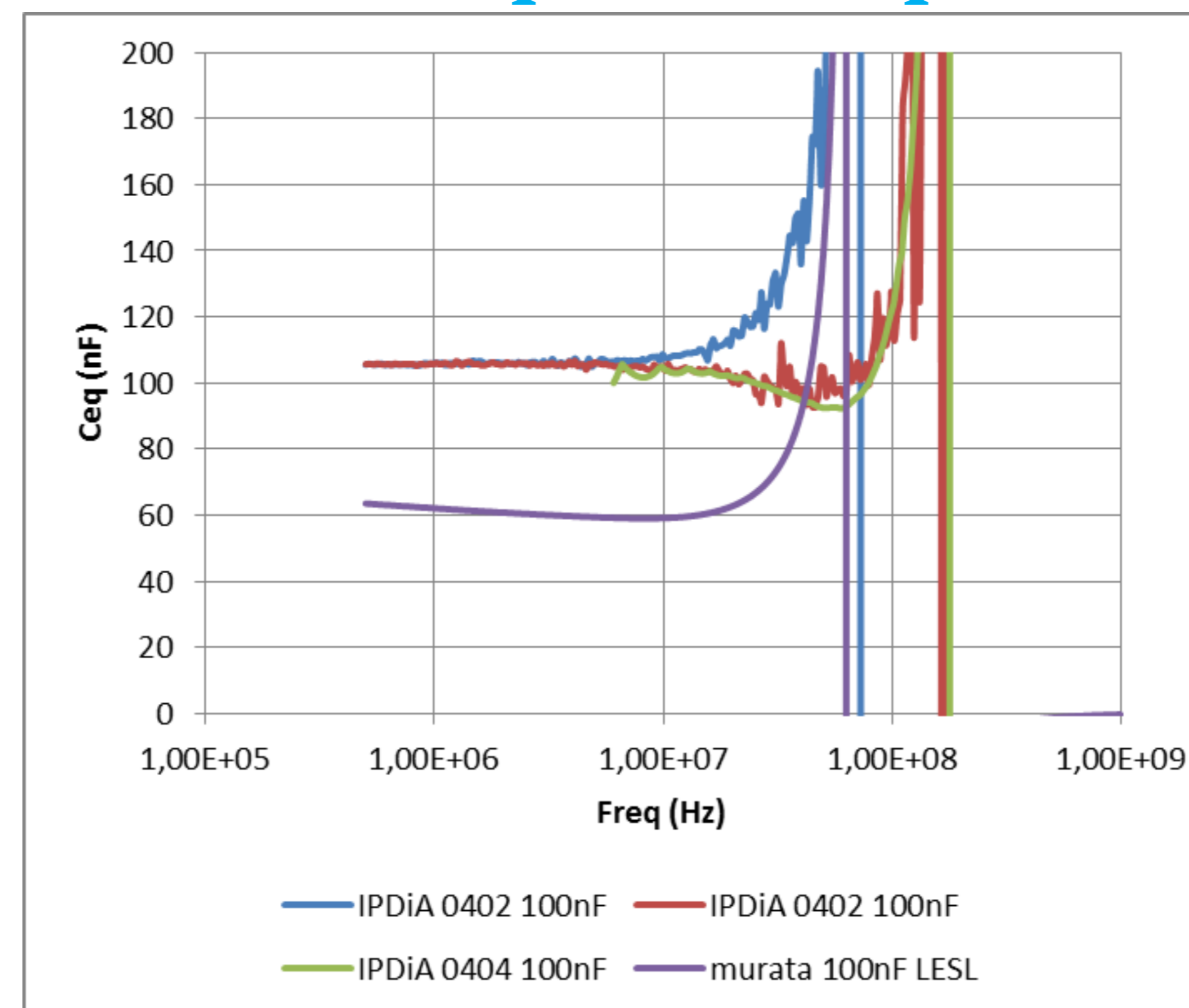
Z vs Freq



S21 vs Freq



Ceq vs Freq



Leq vs Freq

